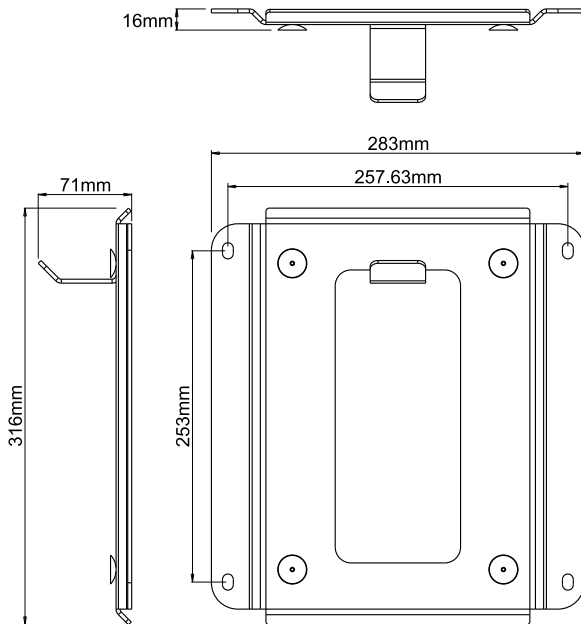


Flexson's bespoke bracket for the SONOS SUB allows you to wall mount your subwoofer in the ideal place to sound - and look - great. The Flexson wall bracket is precision engineered in England to perfectly match the size, style and colour of the SONOS subwoofer. Like all Flexson SONOS products, the wall-mount bracket for the SONOS SUB allows for neat cable routing, easy fitting and flexible placement.

- Wall Bracket. Bespoke design for SONOS SUB subwoofer
- Frees up floor space
- Allows SONOS SUB to be discreetly positioned
- Available in black, to match the SONOS SUB
- Precision engineered in England
- Quick and easy to fit



PRODUCT CODE:	FLXSUBB		
UPC NUMBER:	639713328127		
CARTON DIMENSIONS (WxHxD):	300mm x 325mm x 80mm (11.8" x 12.8" x 3.1")		
CARTON WEIGHT:	1.9kg (2.2lbs)		
CARTON CONTENTS:	1 x wall mount for SONOS SUB		
OUTER CARTON QUANTITY:	x 4		
UK, EUROPEAN & US PRICING (SRP):	£59.99	€84.99	\$89.99